

Shaft Mounted Clutches and Brakes

Shaft Mounted Clutches

EC Series

All the features of an electric clutch in a convenient, preassembled package. Mounts on any through shaft or double shafted motor. Easy-to-assemble with standard sheaves, pulleys, gears and sprockets.

Available in a wide range of bore sizes. Shaft extension makes pulley or sprocket installation easy.

Shaft Mounted Brakes

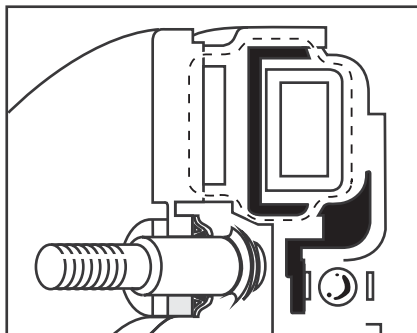
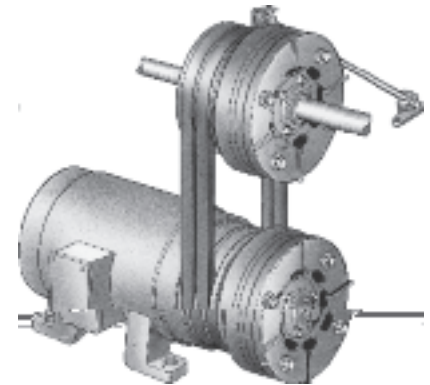
EB Series

Electro Brakes mount directly on a motor or through shaft for basic braking functions.

Torque arm feature makes Electro Brakes easy to install on any through shaft or double shaft motor.

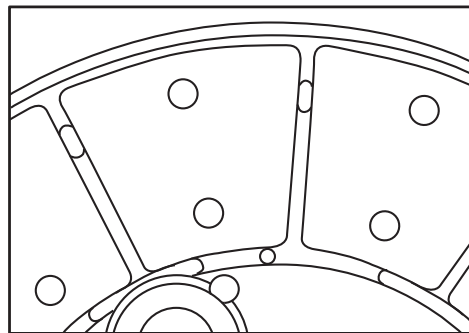
Segmented and fluted armature disc provides maximum cooling of friction surfaces.

- Six sizes of clutches and brakes
- 16 lb. ft. to 465 lb. ft. torque range
- Preassembled. Factory aligned.
- Mounting flexibility
- Simple to install



Brushless Design

Warner Electric designed electromagnetic circuit eliminates brushes.



Heat Dissipation

Specially designed segmented armature disc is segmented and fluted to provide maximum cooling of friction surfaces. Automatically adjusts for wear.

Motor mounted Electro Clutch used in combination with an Electro Brake on a through shaft installation.

EC Series Electro Clutch

Shaft Mounted Clutches

Mounting flexibility

Standard Electro Clutches are offered in a wide variety of bore sizes.

UL listed

Conduit box meets industry standards.

Simple installation

Easy-to-install a pulley, sprocket, sheave or gear on the Electro Clutch shaft extension.

Long life – no maintenance

Specially designed armature disc is segmented and fluted to provide maximum cooling of friction surfaces. Automatically adjusts to wear.

No brushes to wear out

Warner Electric designed electro-magnetic circuit eliminates brushes.

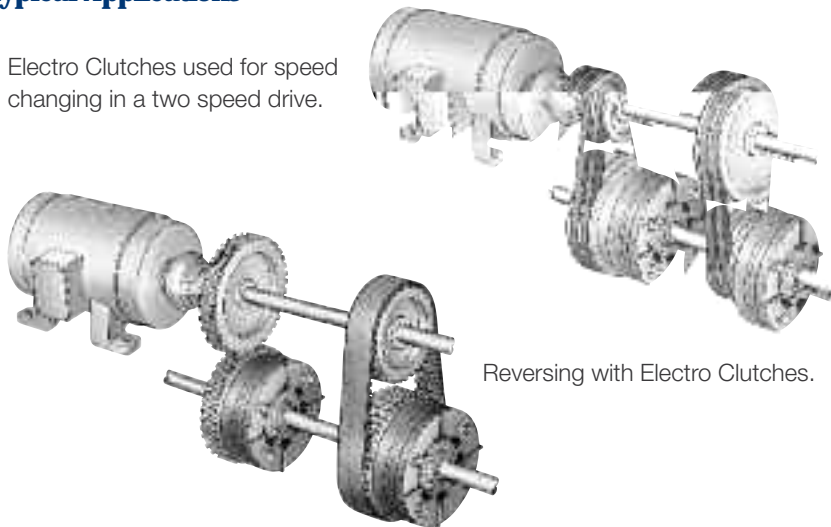
Packaged Performance

The engineering is built-in. Warner Electric Packaged Performance products are factory aligned and pre-assembled. They have been designed to mate easily with industry standard motors, reducers and other power transmission components. "Bolt-it-down and wire-it-up". . . they're ready to go.

- Hubs mate to standard sheaves, sprockets, gears and pulleys
- Wide torque range from 16 to 465 lb. ft.
- Handle 1 to 20 HP at 1800 RPM

Typical Applications

Electro Clutches used for speed changing in a two speed drive.



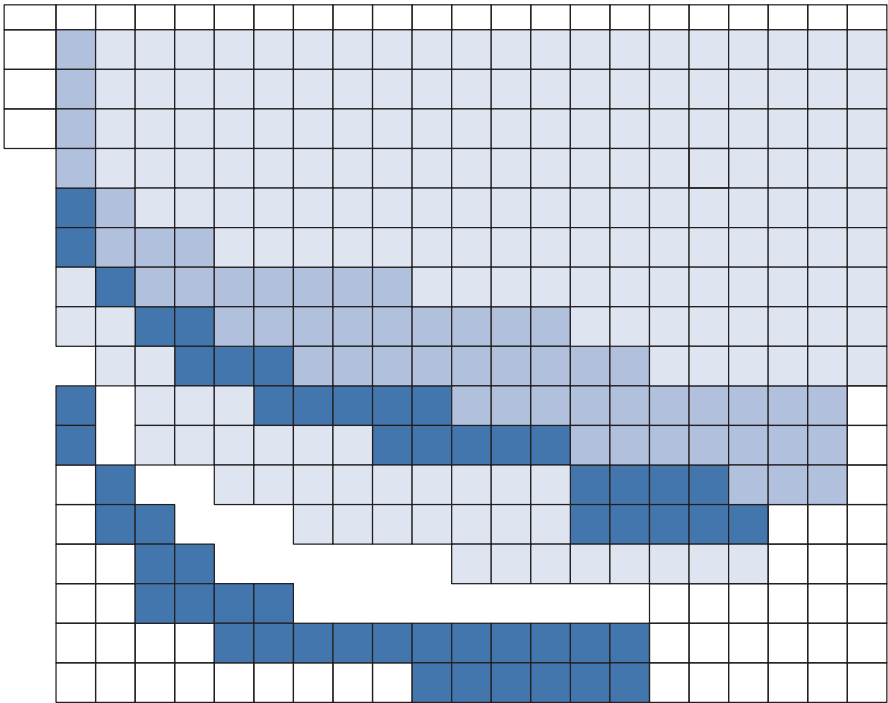
Reversing with Electro Clutches.

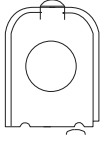
Selection/Ordering Information

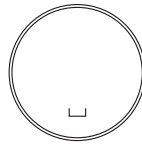
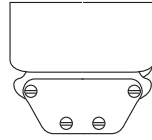
Selection Procedure

1. Determine the motor horsepower and r.p.m. at the clutch location.
2. Use the Horsepower vs. Shaft Speed chart to determine the right size Electro Clutch.
3. When ordering, specify bore size and voltage.
4. To get maximum performance from your Electro Clutch, use a Warner Electric Control. See the Controls Section.

Note:
Electro Clutches require extended length motor shafts for motor mounting.

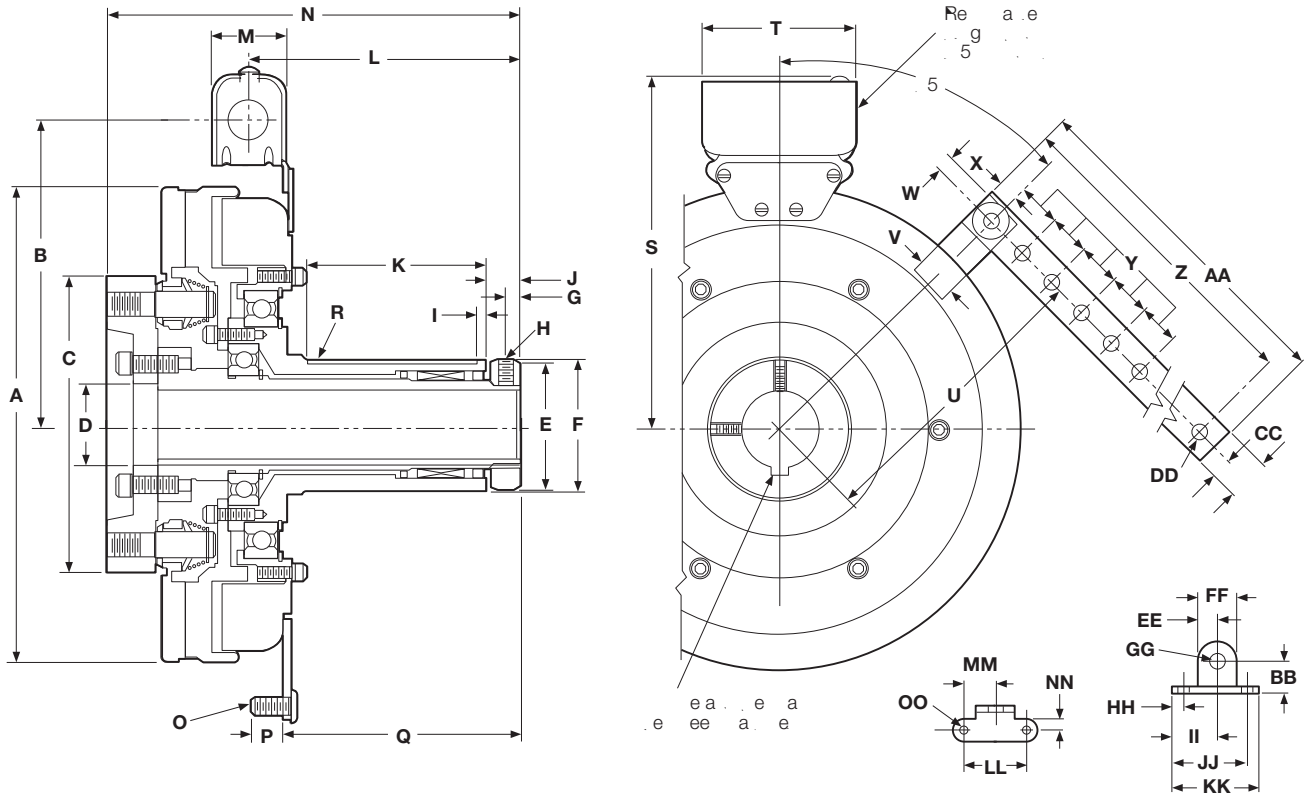






EC Series Electro Clutch

EC-1000, EC-1225



Specifications

Model Size	Voltage DC	Static Torque (lb. ft.)	Max. Speed RPM	Inertia-WR ² (lb. ft ²)				Total Weight lbs.
				Arm. & Hub	Rotor	Outer Sleeve	Inner Sleeve	
EC-1000	6	240 lb. ft.	2000	.720	.894	.129	.036	41
	24	240 lb. ft.	2000	.720	.894	.129	.036	41
	90	240 lb. ft.	2000	.720	.894	.129	.036	41
EC-1225	6	465 lb. ft.	2000	1.8	2.4	.129	.061	85
	24	465 lb. ft.	2000	1.8	2.4	.129	.061	85
	90	465 lb. ft.	2000	1.8	2.4	.129	.061	85

EC Series Electro Clutch

EC-1000, EC-1225

Dimensions

All dimensions are nominal, unless otherwise noted.

Size	A Max.	B Dia.	C	D Min.	E Dia.	F Dia.	G	H	I	J	K Max.	L	M
1000	10.328	6.531	6.344	1.750	2.875	2.9375 2.9365	.344	5/16-18 UNC -3A x 3/8	.188	.750	3.969	6.000	1.547
1225	12.672	7.531	6.969	2.234	3.625	3.750 3.749	.406	5/81-16 UNC -3A x 3/4	.375	.859	5.219	7.781	1.547

Size	N Max.	O	P	Q Max.	R*	S	T	U	V	W	X	Y
1000	9.031	5/16-18 UNC-2A	1.547	5.281	3/4 x 1/8	7.688	3.750	6.125	.875	.344	.375	.750
1225	11.016	5/16-18 UNC-2A	1.547	7.047	7/8 x 1/8	8.688	3.750	7.000	.875	.344	.375	.750

Size	Z	AA	BB	CC	DD Dia.	EE	FF	GG Dia.	HH	II	JJ	KK	LL	MM	NN	OO
1000	16.625	17	.750	.375	.330 .321	.438	.875	.313	.250	1.000	1.750	2.000	1.500	.750	.250	.270 .260
1225	16.625	17	.750	.375	.330 .321	.438	.875	.313	.250	1.000	1.750	2.000	1.500	.750	.250	.270 .260

* Key supplied

Bore Sizes and Keyway

Size	Bore Dia.	Keyway
1000	1.375	*5/15 x 5/32
	1.500	*3/8 x 11/64
	1.625	*3/8 x 1/8
1225	1.625	*3/8 x 5/32
	1.875	*1/2 x 1/4
	2.125	*1/2 x 3/16

*Key Furnished