

Super CB Series Clutch / Brakes

Control Collars

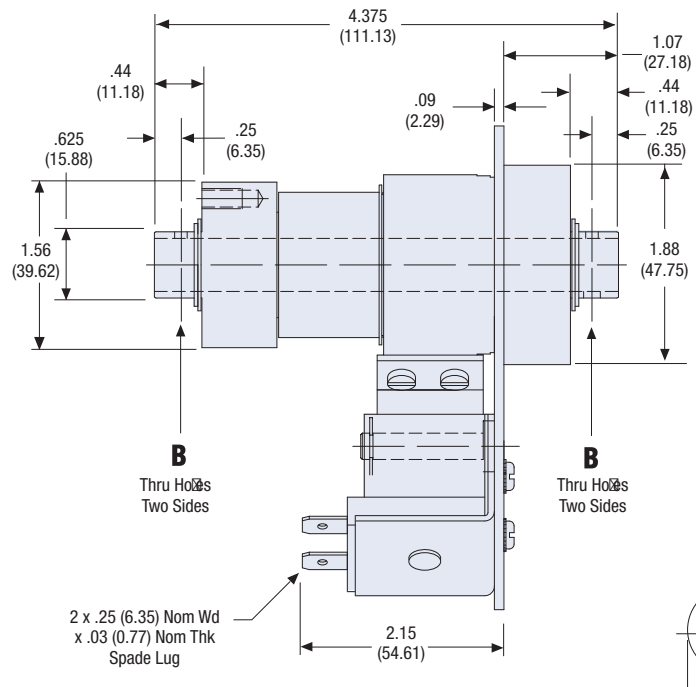
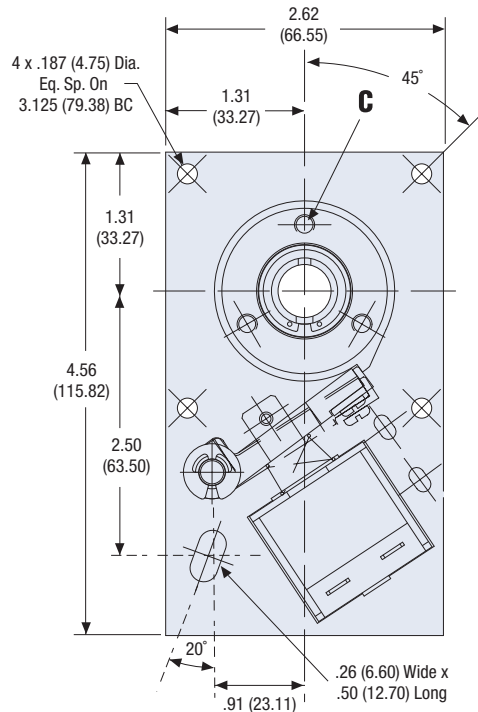


	☒	/	?		☒
?	☒				
	☒				
☒?			?	?	?
?	?	☒			
		☒			?
☒	?	?			?
☒?	?	☒	?	☒	

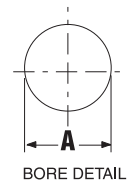
-5	1. ☒	☒
-6	1. ☒	☒
-	1.6☒	☒
-10	1.5☒	☒

Super CB-5 Clutch / Brake

Dimensions in. (mm)



As shown viewed from input hub only



Bore Sizes

	Bore A	Pin Hoʀs B	Mtg. Hoʀs C
☒ ()	.5005-.5025 (12.12-12.64)	.125 (3.15)	3 #10-32 -2 . . . 1.25
(.)	12.0 (4 24-.4 41)	3.0 (.11 -.121)	3 5 0. ' 31.5

SCB-5 Part Numbers

Bore Size	Voltage	Rotation	Stops		
			1	2	4
0.5"	24		325-1 -001	325-1 -002	325-1 -003
			325-2 -001	325-2 -002	325-2 -003
0.5"	115		325-1 -004	325-1 -005	325-1 -006
			325-2 -004	325-2 -005	325-2 -006

Electrical Data (±10%)

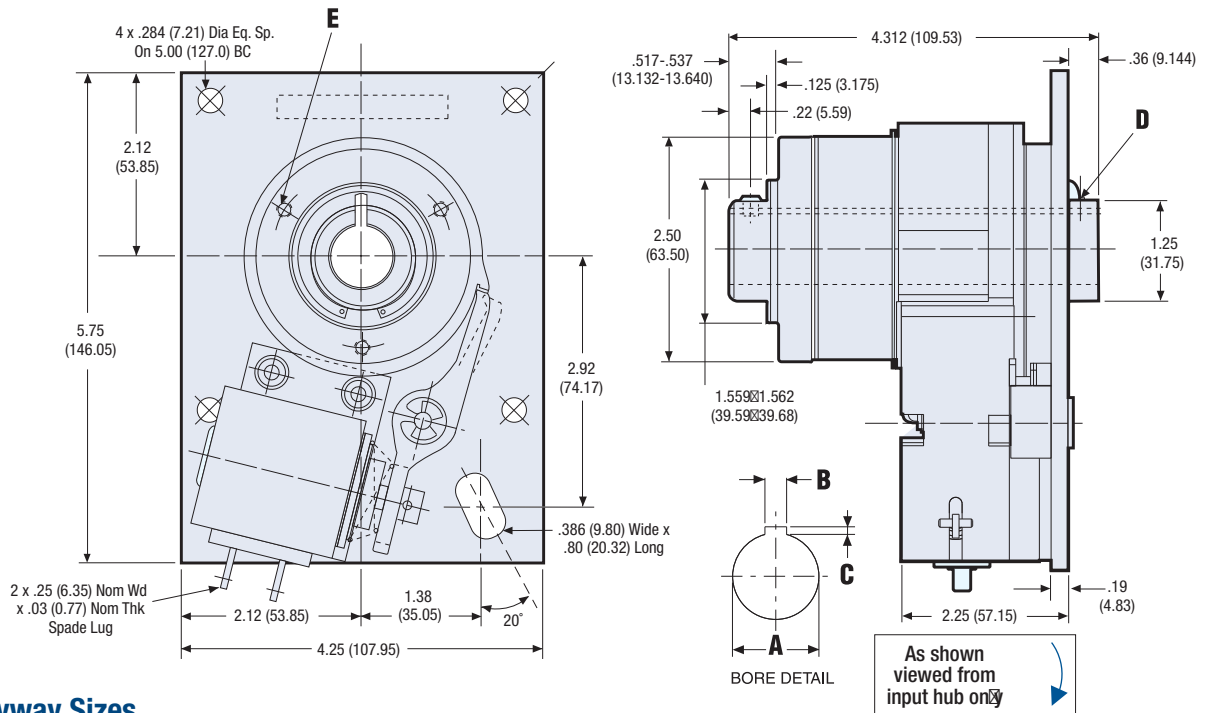
Voltage	Current (amps)	Resistance (ohms)	Status
115 60	.10*	2 0	
24	.32	4	
12	.3	16.4	
0	.10	36	

Specifications

	250 ☒ . .
- v ☒ ☒	125 ☒ . .
- ☒ ☒	125 ☒ . .
, ' ☒	.236 ☒ . . ²
☒ ☒	35 ☒ .
	50
, v ☒ ' ☒	2
	3 ☒ .

Super CB-6 Clutch / Brake

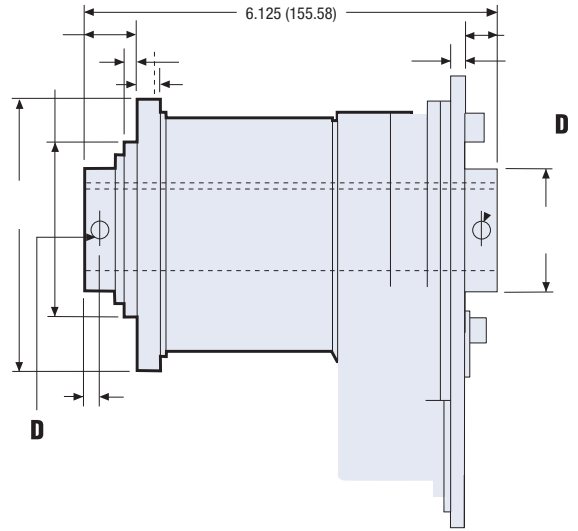
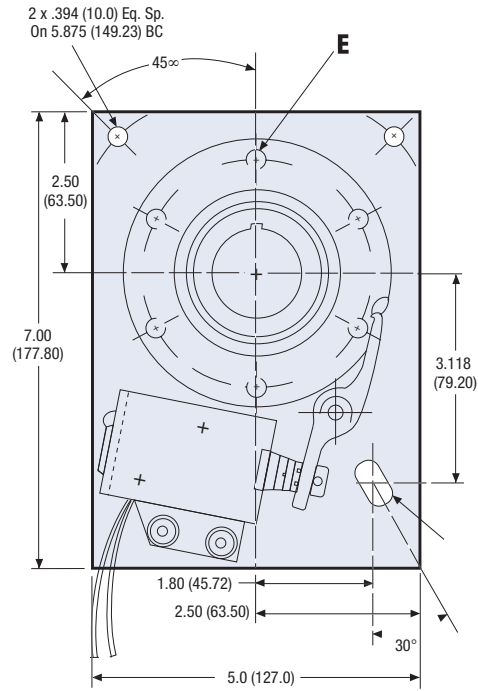
Dimensions in. (mm)



Bore & Keyway Sizes

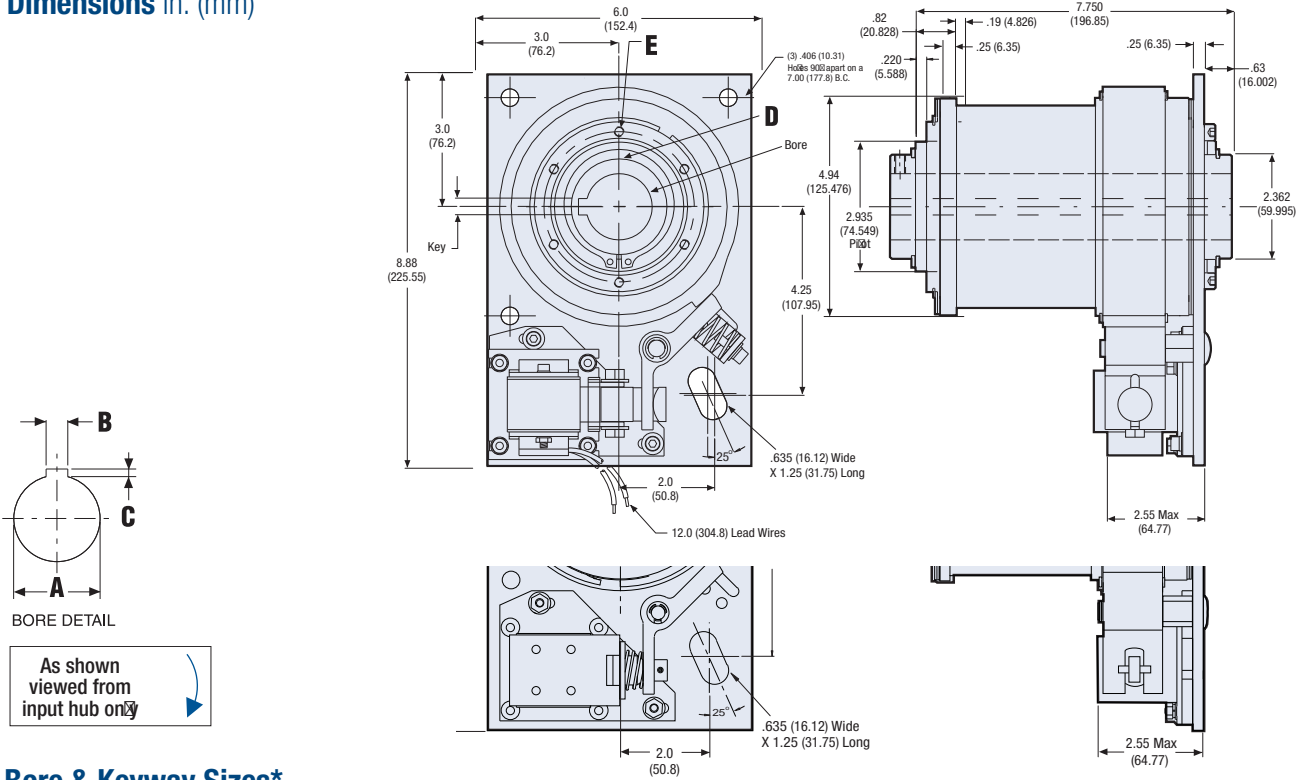
	Bore A	Keyway Width B	Keyway Depth C	Set Screws/Pin Ho D	Mtg. Ho E
☒	.505-.525 (12.667-13.302)	.15 (3.81)	.035 (.889)	2 #10-32 -2	3 #1/4-20 -2 (7.62)
()	1.0005-1.0025 (25.412-25.464)	☒	☒	2 .1 (5.08)	3 #1/4-20 -2 (7.62)

Super CB-8 Clutch / Brake



Super CB-10 Clutch / Brake

Dimensions in. (mm)



Bore & Keyway Sizes*

	Bore A	Keyway Width B	Keyway Depth C	Set Screws D	Mtg. Holes E
☒	1.5005-1.503 (3.8113-3.811)	.35 (.889)	.1 (2.54)	#1/4-20 -2	6 1/4-20 -2 .341
()	1.505-1.53 (44.464-44.52)	.35 (.889)	.1 (2.54)	#1/4-20 -2	6 1/4-20 -2 .341
(.)	40.0 (1.54-1.52)	12.0 (.424)	4.0 (.154)	6 1.0 10.0	6 1.25 6.
☒			1.2505/1.2530 (31.62 /31.262)	.3125 (.35)	
			1.6255/1.620 (41.2 /41.3512)	.35 (.889)	

SCB-10 Part Numbers

Bore Size	Voltage	Rotation	Stops		
			1	2	4
1.50"	24		320-1 -010	320-1 -011	320-1 -012
			320-2 -010	320-2 -011	320-2 -012
1.50"	115		320-12-001	320-12-002	320-12-003
			320-22-001	320-22-002	320-22-003
1.5"	24		320-1 -016		
			320-2 -016		
1.5"	115		320-12-00	320-12-00	
			320-22-00	320-22-014	

Electrical Data (±10%)

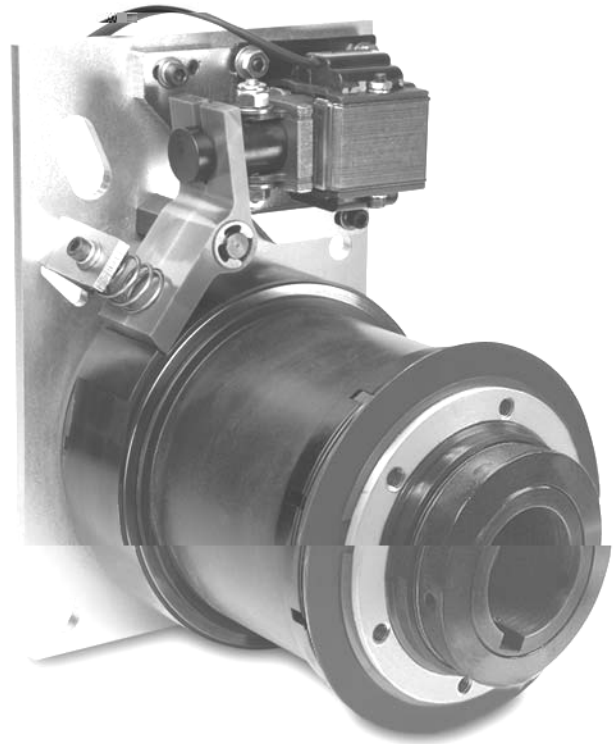
Voltage	Current (amps)	Resistance (ohms)	Status
115 AC 60 Hz	.6*	11.5	Standard
24 DC	.94	25.4	Standard
12 DC	1.90	6.3	Option
90 DC	.24	378	Option

Specifications

				5,000 ☒ . .
				1,200 ☒ . .
				1,200 ☒ . .
				4 ☒ . . ²
				500 ☒ .
				200
				5
				2 ☒ .

Super CB-10 Clutch / Brake

For Airport Baggage Handling Conveyor Diverters



Features

- Thrust bearing supports weight of input timing pulley
- Oil reservoir wick in AB pocket
- Two ten coated input collar washers
- Collar aluminum aircraft grade
- Solid solenoid actuator link
- Fasteners that secure solenoid are #10



SCB-10 Part Numbers

Model Number	Voltage	Part Number	Stops
	115	320-12-01	1
	115	320-22-020	1
	220	320-12-01	1
	220	320-22-021	1

Improvements

Thrust bearing supports weight of input timing pulley

- Oil reservoir wick in AB pocket
- Two ten coated input collar washers
- Collar aluminum aircraft grade
- Solid solenoid actuator link
- Fasteners that secure solenoid are #10

Oil reservoir wick in AB pocket

- Two ten coated input collar washers
- Collar aluminum aircraft grade
- Solid solenoid actuator link
- Fasteners that secure solenoid are #10

Two ten coated input collar washers

- Collar aluminum aircraft grade
- Solid solenoid actuator link
- Fasteners that secure solenoid are #10

Collar aluminum aircraft grade

- Solid solenoid actuator link
- Fasteners that secure solenoid are #10

Solid solenoid actuator link

- Fasteners that secure solenoid are #10

Fasteners that secure solenoid are #10

- #10